

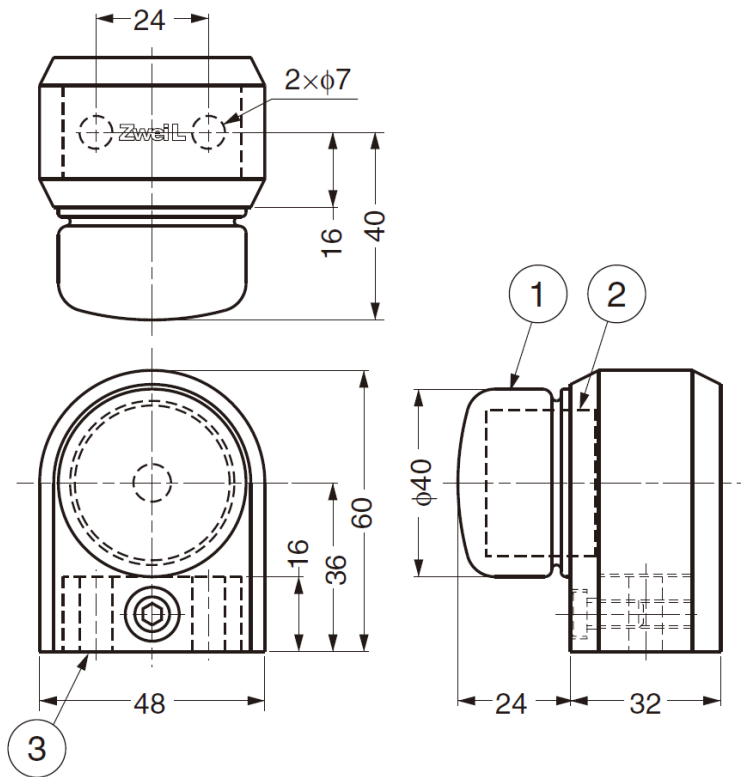
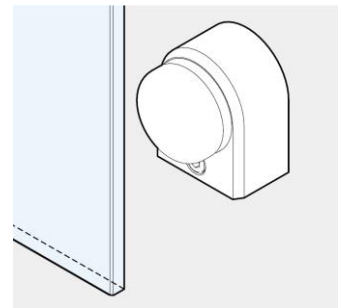
ZL-1803 *Zwei L* Stainless Steel Door Stopper

Features

- Floor mount type
- Superior "Zwei L Finish" - *Zwei L* represents the very pinnacle of ultra-premium Japanese hardware design. The contrasting bands of mirror finish and lustrous satin on a faceted profile give a jewel like finish that highlights and enhances any industrial design
- Polyurethane cushion has excellent shock absorbing and damping performance

Parts Included

- Rounded head wood screw 6.2×56 (SUS)
- Plug (MG-8×40P)
- Hex key



No.	Part Name	Material	Finish/Colour
①	Stopper	Ethylene Propylene Rubber (EPDM)	Grey
②	Cushion	Foamed Polyurethane (PUR)	—
③	Body	Stainless Steel (SUS316)	Zwei L finish

Part No.
ZL-1803